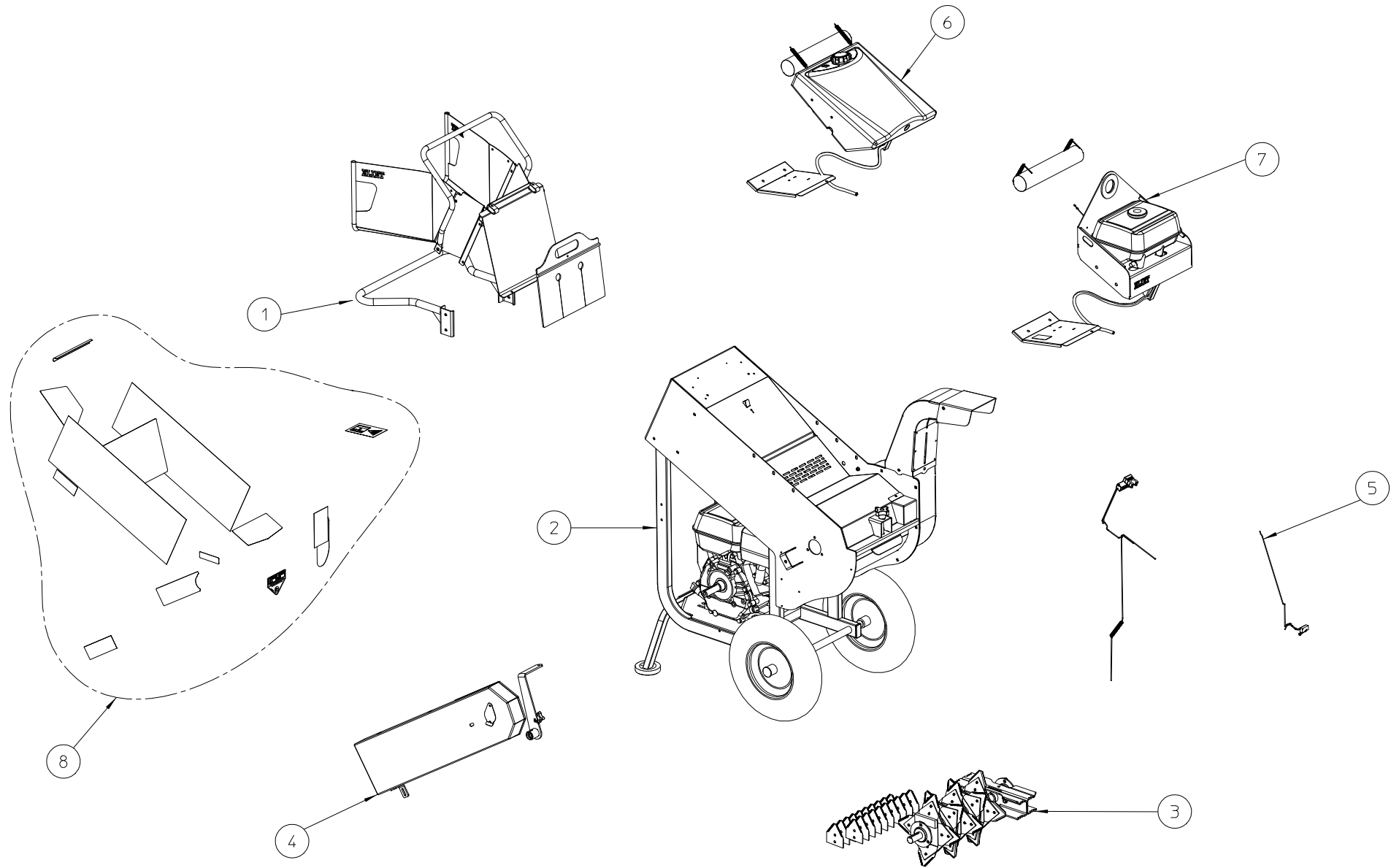
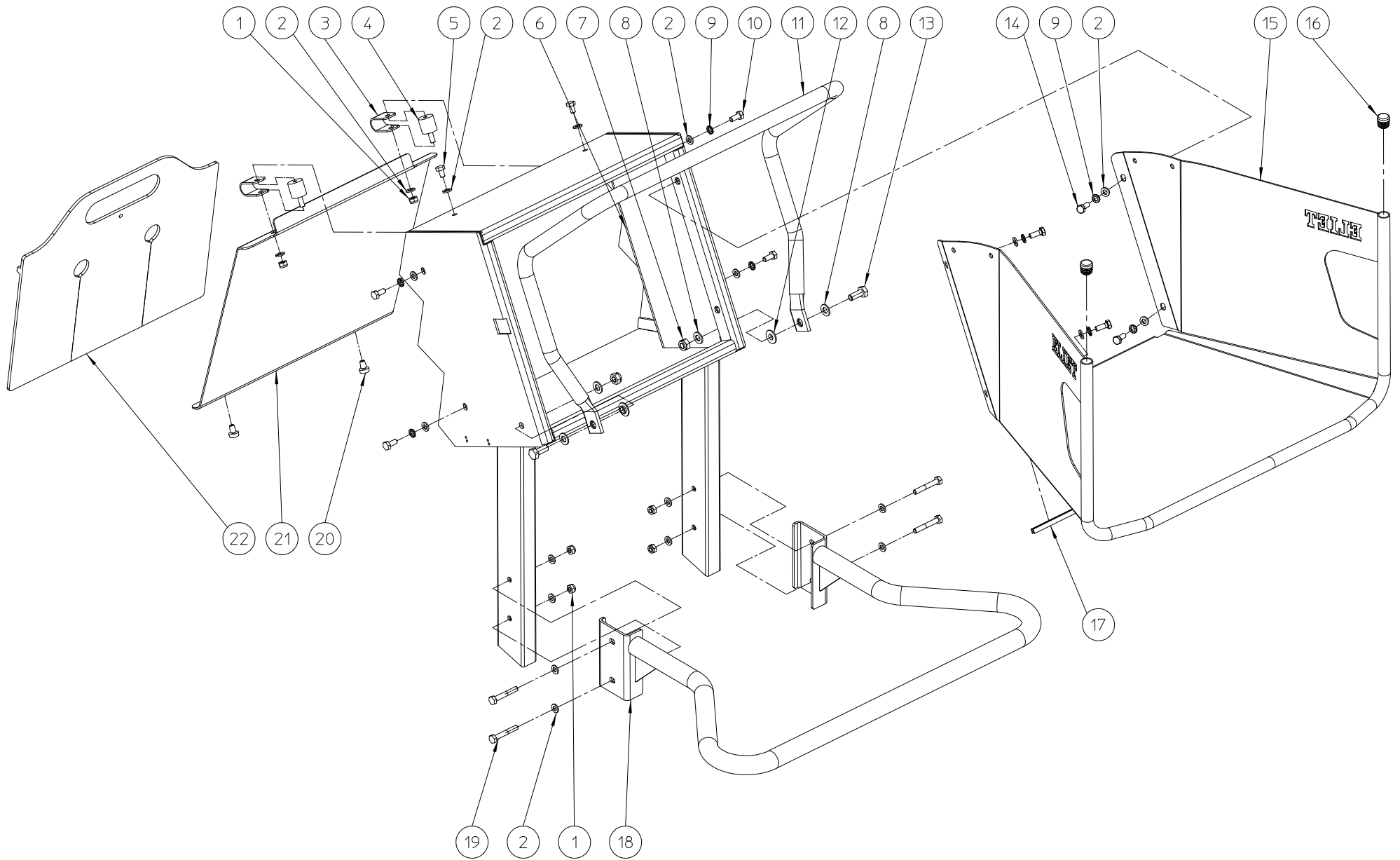


Da matricola maggiore 1934xxxx



ELIET MAJOR 4S -- GENERAL					
NO	MMA 01 041 100	REV	4	DATE	

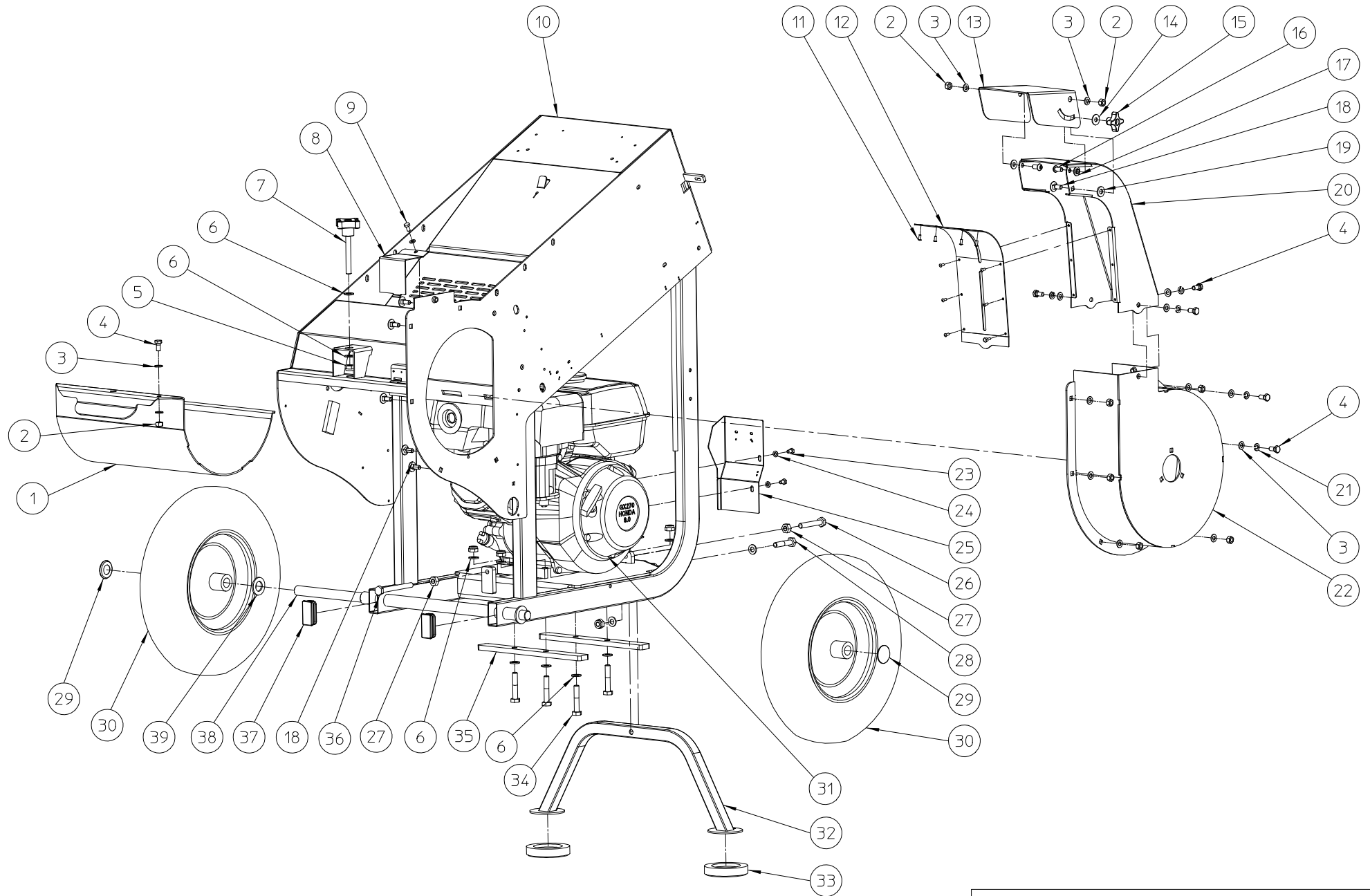
#	Order nr	article description	quantity
1	MMA 01 041 110	machine front side	1
2	MMA 01 041 120	chassis	1
3	MMA 01 041 130	rotor	1
4	MMA 01 041 140	transmission	1
5	MMA 01 041 150	electrical system	1
6	MMA 01 041 160	rental kit	1
7	MMA 01 041 170	metal tank rental kit	1
8	MMA 01 041 210	stickers eliet	1



ELIET MAJOR 4S -- MACHINE FRONT SIDE

NO	MMA 01 041 110	REV	3	DATE	2017/01/10
----	----------------	-----	---	------	------------

#	Order nr	article description	quantity
1	BS 502 000 600	self locking nut m6 din 985	6
2	BS 531 000 600	washer m6 din 125	20
3	BR 910 000 020	retainer ertalon 80x20x2	2
4	BR 600 220 200	antivibration blocks 20x20b m6x15	2
5	BS 512 000 610	bolt m6x10 din 933	2
6	MPA 01 041 280	safety plate	2
7	BS 502 000 800	self locking nut m8 din 985	2
8	BS 531 000 800	washer m8 din 125	4
9	BS 534 000 600	lock washer m6 din 6798a	8
10	BS 512 000 614	bolt m6x14 din 933	4
11	MPA 01 040 040	safety handle	1
12	BR 112 080 300	nylon bushing with collar (8.2/10.9/18x3.5/1.5)	2
13	BS 512 000 820	bolt m8x20 din 933	2
14	BS 512 000 616	bolt m6x16 din 933	4
15	MPA 01 041 680	hopper major 4s v2016	1
16	BR 020 501 160	tube plug 16 mm	2
17	BR 000 910 280	rubber u-moulding 280mm	1
18	MPA 01 040 021	handlebars - 2008	1
19	BS 511 000 640	bolt m6x40 din 931	4
20	BR 602 006 151	rubber bumper	2
21	MPA 01 041 220	anti projection shield major 4s	1
22	BR 900 001 740	rubber	1



ELIET MAJOR 4S -- CHASSIS					
NO	MMA 01 041 120	REV	4	DATE	2020/02/07

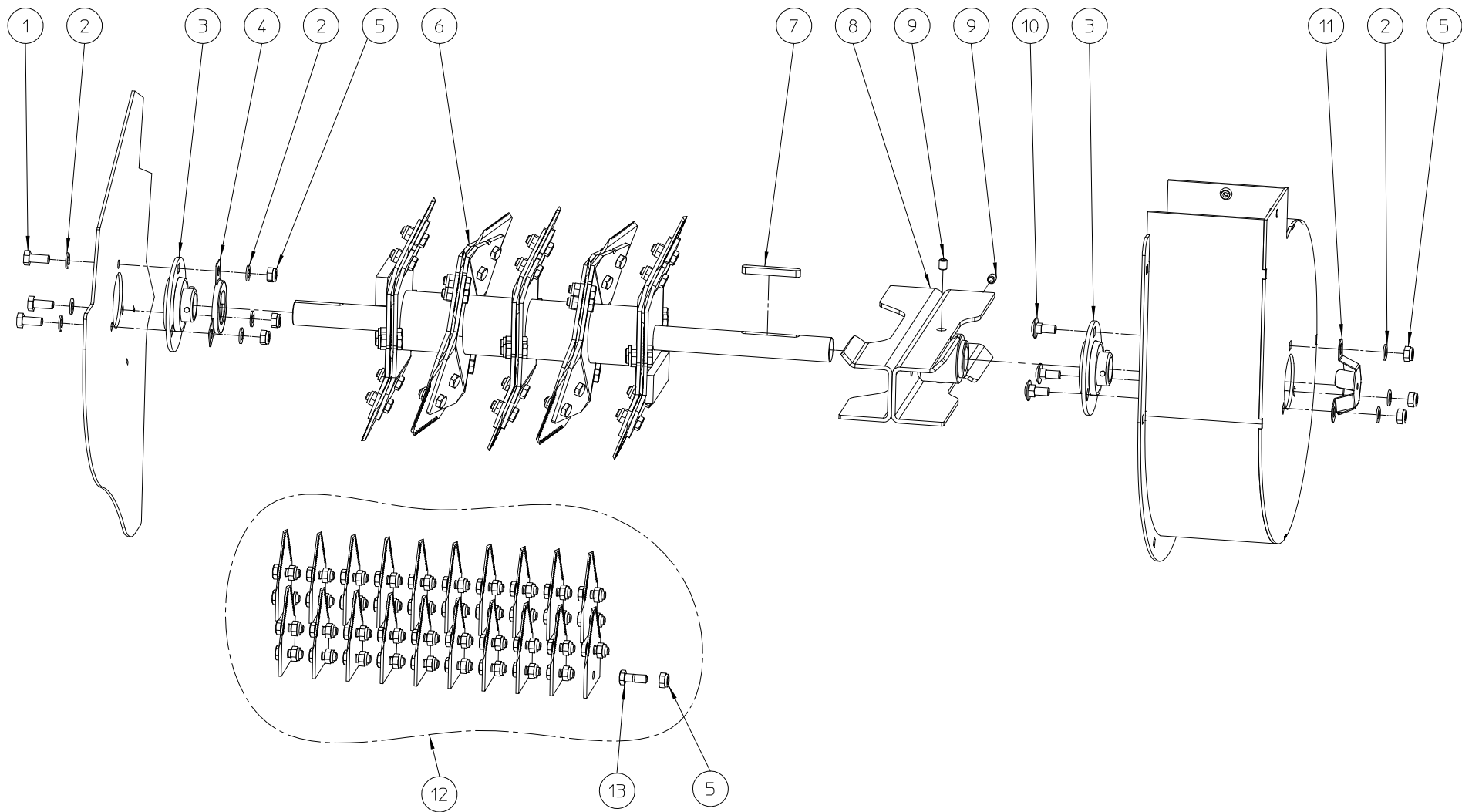
ELIET MANUAL

MAJOR 4S

MMA 01 041 120

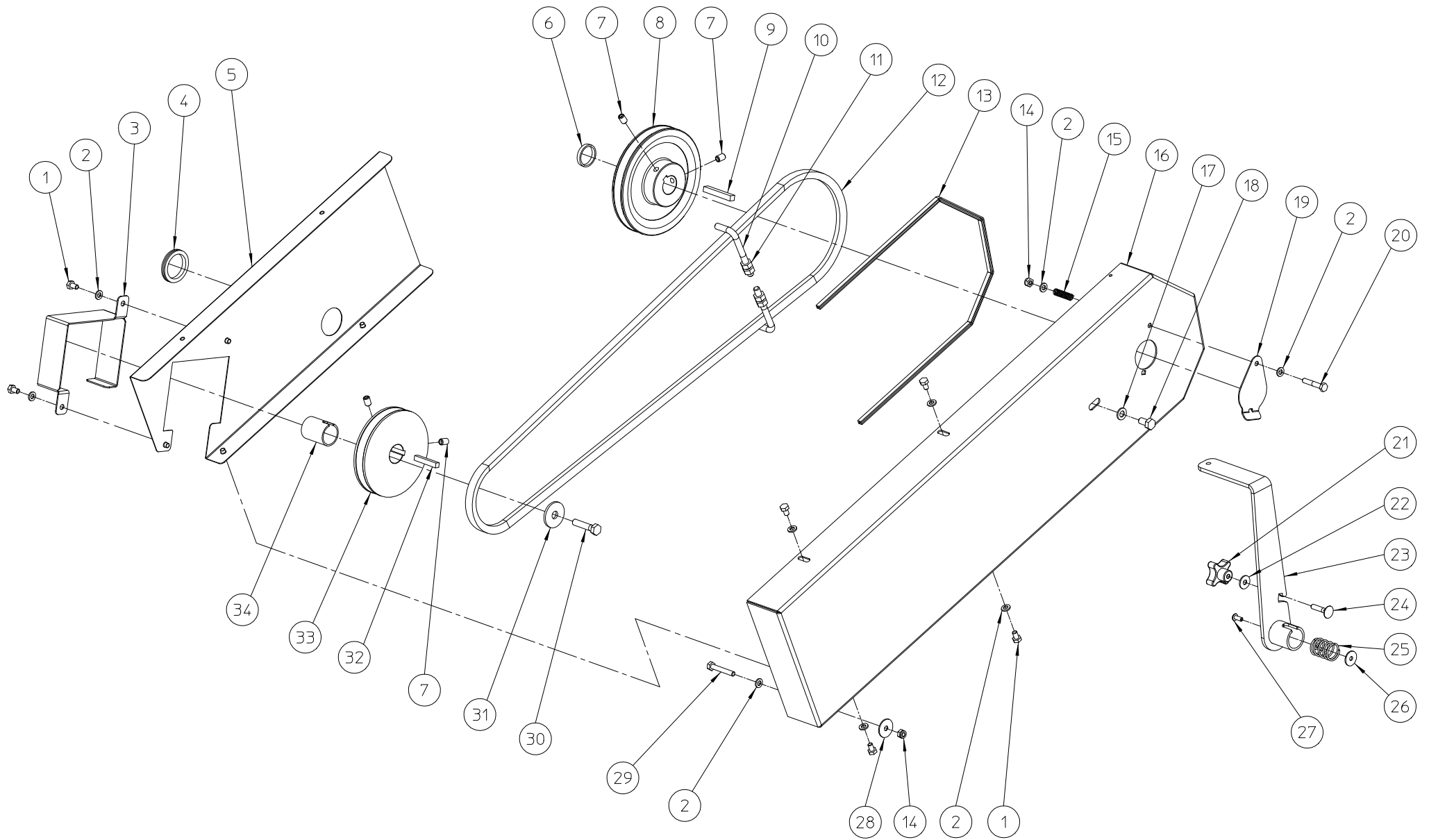
CHASSIS

NUMBER	ARTICLE	DESCRIPTION	QUANTITY
1	MPA 01 041 090	CLOSING ROTOR MAJOR 4S	1
2	BS 502 000 800	SELF LOCKING NUT M8 DIN 985	8
3	BS 531 000 800	WASHER M8 DIN 125	14
4	BS 512 000 816	BOLT M8X16 DIN 933	6
5	BS 502 001 000	SELF LOCKING NUT M10 DIN 985	6
6	BS 531 001 000	WASHER M10 DIN 125	12
7	BN 630 510 480	LOB KNOB Ø60MM - M10X80	1
8	MPA 01 041 100	COVER FOR SAFETY SWITCH MI/MA 4S	1
9	BS 512 000 612	BOLT M6X12 DIN 933	1
10	MPA 01 041 030	CHASSIS MAJOR 4S	1
11	BB 221 104 100	POP PLUG ALU 3.9X10 DIN 7337 A	10
12	MPA 01 041 230	PROTECTION BLOW CHUTE MAJOR 4S	1
13	MPA 01 041 240	DIRECTIONAL VALVES BLOW CHUTE MAJOR 4S	1
14	BS 532 008 223	WASHER M8X22X1.5	1
15	BN 630 808 400	LOB KNOB 188-40 M8	1
16	BS 522 500 816	SCREW M8X16 ISO 7380	2
17	BR 112 080 300	NYLON BUSHING WITH COLLAR (8.2/10.9/18x)	2
18	BS 554 100 820	BOLT M8X20 DIN 603	6
19	BR 111 100 200	NYLON BUSHING (10.5/21x2.5)	1
20	MPA 01 041 080	BLOW CHUTE MAJOR 4S	1
21	BS 533 000 800	LOCK WASHER M8 DIN 127B	5
22	MPA 01 041 040	TURBINE HOUSING MAJOR 4S	1
23	BS 512 000 610	BOLT M6X10 DIN 933	2
24	BS 531 000 600	WASHER M6 DIN 125	3
25	MPA 01 010 290	FRONT PLATE GX270	1
26	BS 512 001 045	BOLT M10X65 DIN 933	1
27	BS 501 001 000	NUT M10 DIN 934	2
28	BS 511 001 042	BOLT M10X50 DIN 931	1
29	BB 011 000 200	STARLOCK 20MM	2
30	BW 040 020 000	WHEEL 4.80-4	2
31	BM 202 109 000	HONDA GX 270	1
32	MPA 01 041 050	FOOT MAJOR 4S	1
33	BR 900 000 110	RUBBER SOCKS DIA 90X18MM	2
34	BS 511 001 043	BOLT M10X55 DIN931	4
35	MPA 01 041 480	FIXATION PLATES	2
36	BS 512 001 050	BOLT M10X100 DIN 933	1
37	BR 021 150 250	CAP PVC BLACK 50X25	2
38	MPA 01 041 250	WHEEL SHAFT MAJOR 4S	1
39	BS 531 002 000	WASHER M20 DIN 125	2



ELIET MAJOR 4S -- ROTOR					
NO	MMA 01 041 130	REV	1	DATE	2016/03/08

#	Order nr	article description	quantity
1	BS 512 000 820	bolt m8x20 din 933	3
2	BS 531 000 800	washer m8 din 125	9
3	BL 801 502 500	bearing + flanges aspf 205	2
4	MPA 01 041 270	bearing protection cover pf205	1
5	BS 502 000 800	self locking nut m8 din 985	6
6	MPA 01 041 060	rotor major 4s	1
7	BB 351 080 760	key 8x7x60 din 6885a	1
8	MPA 01 041 070	propeller major 4s	1
9	BS 023 000 810	set screw m8x10 din 916	2
10	BS 554 100 820	bolt m8x20 din 603	3
11	MPA 01 041 260	bearing protection cover pf205 + shaft	1
12	BU 401 200 302	set of knives (20)	1
13	BS 011 000 822	bolt m8x22 din 931	0



ELIET MAJOR 4S --- TRANSMISSION

NO	MMA 01 041 140	REV	3	DATE	2020/02/10
----	----------------	-----	---	------	------------

ELIET MANUAL

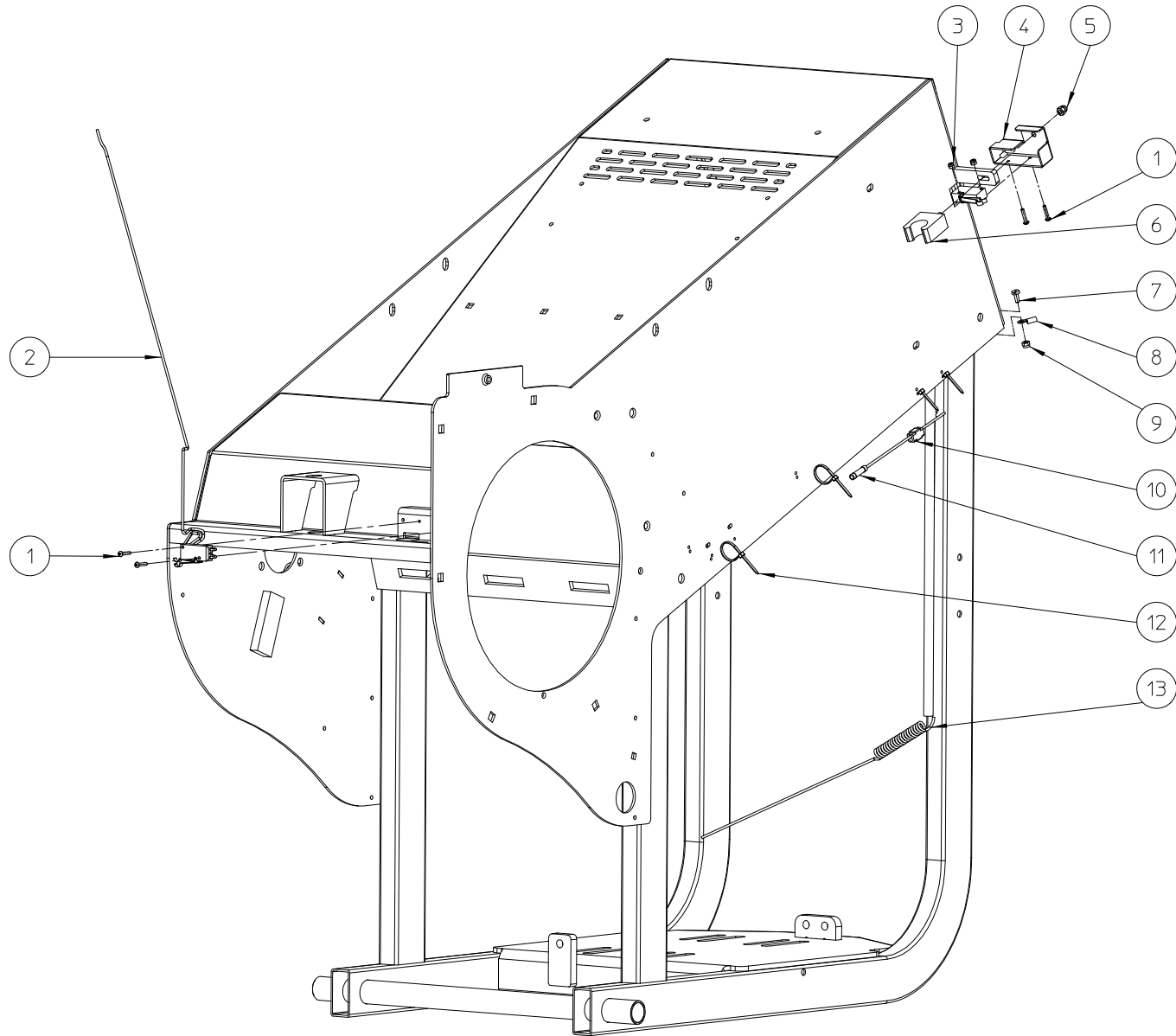
MAJOR 4S

MMA 01 041 140

TRANSMISSION

NUMBER	ARTICLE	DESCRIPTION	QUANTITY
1	BS 512 000 610	BOLT M6X10 DIN 933	6
2	BS 531 000 600	WASHER M6 DIN 125	9
3	MPA 01 010 170	PROTECTION ENGINE SHAFT	1
4	BR 500 103 800	RUBBER PLUG 42X38X1.6	1
5	MPA 01 030 120	TRANSMISSION GUARD (INSIDE)	1
6	MPA 01 041 710	POSITIONING WASHER	1
7	BS 023 000 812	SCREW M8X12 * ATTENZIONE	4
8	BA 565 714 001	PULLEY SPA 140X25X8	1
9	BB 341 080 750	KEY 8X7X50 DIN 6880	1
10	MPA 01 010 180	BELT CATCHER	2
11	BS 501 000 800	NUT M8 DIN 934	4
12	BA 521 216 000	BELT XPA 1600	1
13	BR 000 910 600	RUBBER U-MOULDING 600MM	1
14	BS 502 000 600	SELF LOCKING NUT M6 DIN 985	2
15	BV 904 000 010	COMPRESSION SPRING Ø8.5X30MM FIL Ø1MM	1
16	MPA 01 041 120	TRANSMISSION GUARD MI/MA 4S	1
17	BS 531 000 800	WASHER M8 DIN 125	1
18	BS 512 000 816	BOLT M8X16 DIN 933	1
19	MPA 01 041 210	FLAP MI/MA 4S	1
20	BS 511 000 635	BOLT M6X35 DIN 931	1
21	BN 630 206 000	LOB KNOB 188-40 M6	1
22	BS 532 006 183	WASHER M6X18X1.5	1
23	MPA 01 041 140	LEVER TO UNBLOCK MI/MA 4S	1
24	BS 554 100 630	BOLT M6X30 DIN 603	1
25	BV 904 000 020	COMPRESSION SPRING LEVER H.32 Dia E.24 GALVAN	1
26	BS 532 005 202	WASHER M5X20X1.5	1
27	BB 221 005 120	POP PLUG STEEL 4.8X12 DIN 7337 A	1
28	BS 532 006 253	WASHER M6X25X1.5	1
29	BS 512 000 640	BOLT M6X40 DIN 933	1
30	BS 511 041 125	BOLT UNF 7/16"X1"	1
31	BS 532 010 356	WASHER M10X35X3	1
32	BB 342 060 640	KEY 6.35X6.35X40 DIN 6880	1
33	BA 565 711 201	PULLEY SPA 112 (ENGINE)	1
34	MPA 01 041 700	POSITIONING PART ENGINE PULLEY	1

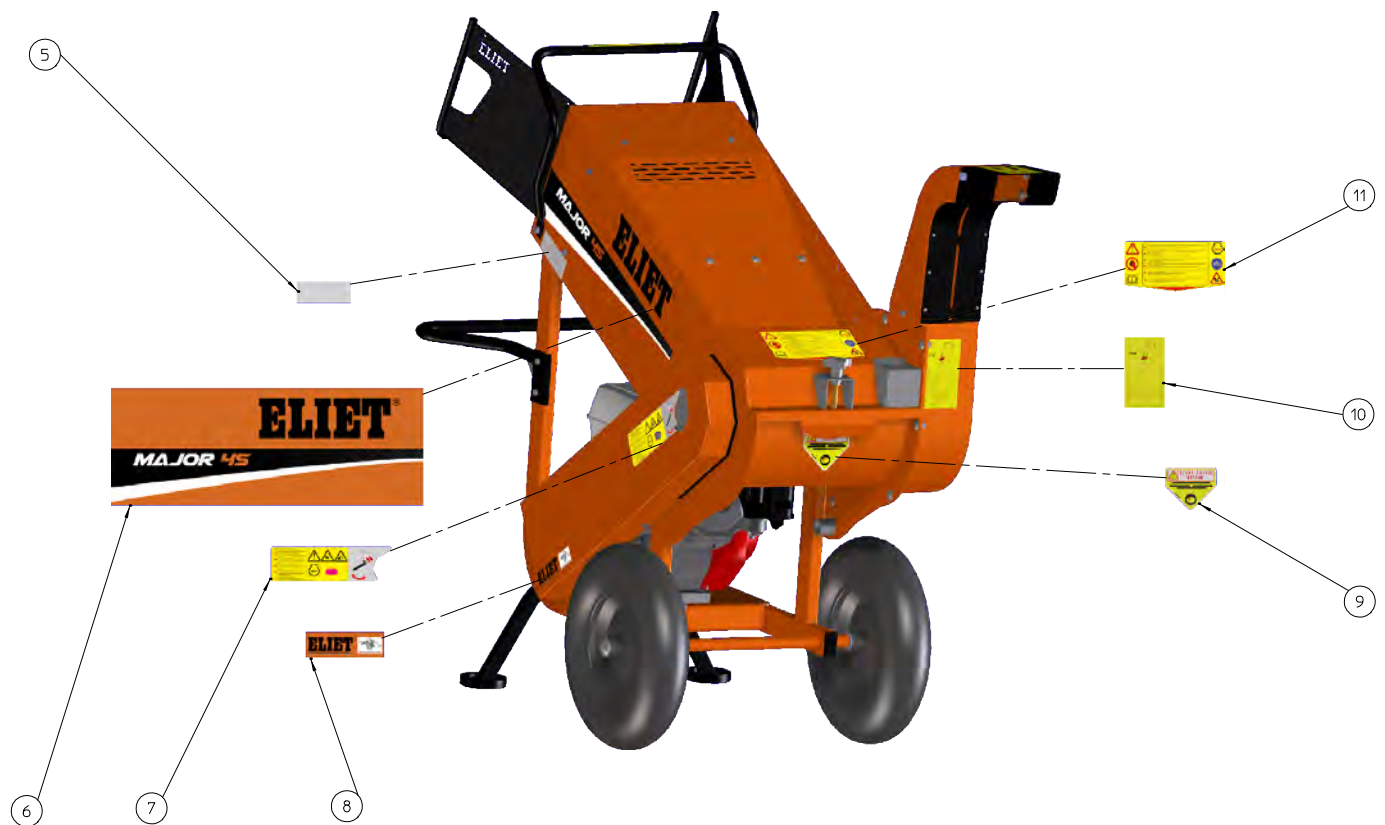
* **ATTENZIONE** Serrare a 18Nm. Applicare Loctite blu (243)



ELIET MAJOR 4S -- ELECTRICAL SYSTEM

NO	MMA 01 041 150	REV	1	DATE	2014/01/24
----	----------------	-----	---	------	------------

#	Order nr	article description	quantity
1	BS 522 500 316	screw m3x16 iso 7380	4
2	BE 120 010 500	safety switch	2
3	BS 502 000 300	self locking nut m3 din 985	2
4	MPA 01 010 200	cover for safety switch	1
5	BS 505 500 500	nut m5 din 1587	1
6	BT 654 001 901	clam 19mm	1
7	BS 541 000 410	screw m4x10 din 84	1
8	BE 031 013 000	eyed terminal m6	1
9	BS 502 000 400	self locking nut m4 din 985	1
10	BE 031 034 201	blue wire connector 2.5mm	1
11	BE 031 013 400	cable connexion red	1
12	BE 043 010 100	wrap tie 100x2.5	4
13	BE 090 231 141	red wire 1.5 ce 114	1



MAJOR 4S -- STICKERS ELIET							
NO	MMA 01 041 210	REV	1	DATE	2015/11/04		

#	Order nr	article description	quantity
1	BQ 505 014 100	safety sticker eject	1
2	BQ 501 010 110	sticker turbo discharge 220x57	1
3	BQ 505 010 030	sticker max 3200 rpm 90x25	1
4	BQ 501 040 030	sticker eliet major 4s (l)	1
5	BQ 505 010 010	identity sticker ce 120x30	1
6	BQ 501 040 040	sticker eliet major 4s (r)	1
7	BQ 505 010 430	safety sticker protection cover 231 x 65	1
8	BQ 501 010 120	sticker eliet patented shredding system	1
9	BQ 505 010 070	safety sticker 100x80 (hand cuts)	1
10	BQ 505 010 391	safety stop sticker 135x75mm	1
11	BQ 505 010 420	sticker check blade bolts 200 x 86	1
12	BQ 501 040 050	sticker direction input major	1
13	BQ 505 010 110	safety sticker 190x125 (in feed)	1
14	BQ 505 010 090	safety sticker 310x200	1
15	BQ 505 010 440	sticker safety bracket minor 4s / major 4s 200 x 25	1